

MasterCare

Patient Equipment, Inc.

"ERGONOMIC AND ECONOMIC PATIENT CARE SOLUTIONS"

Model MB-80

Integrity Bath

**SPECIFICATIONS, LAYOUT, ROUGH-IN,
INSTALLATION & ADJUSTMENT
INSTRUCTIONS**

**FOR SUCCESSFUL INSTALLATION
READ AND FOLLOW ALL INSTRUCTIONS IN THIS MANUAL**

Integrity Cover 1
Rev 1
12/04/06

2071 14th Avenue · PO Box 1435 · Columbus, NE 68601
Phone: 800.798.5867 · Fax: 402.563.9102
E-mail: mastercarepeinc@frontiernet.net
Website: www.mastercarebath.net

MasterCare

Patient Equipment, Inc.

"*ERGONOMIC AND ECONOMIC PATIENT CARE SOLUTIONS*"

Integrity Bath

Architectural Specifications & Rough-In Information

Standard Tub Model MB-80

Reservoir Tub Model MB-80-R

Dimensions:

Bath:	Width:	Standard	(MB-80)	33 ½"
	Width:	Reservoir	(MB-80-R)	52 ½"
	Length:	Standard	(MB-80)	70 ½"
	Length:	Reservoir	(MB-80-R)	80 ½"
	Tub Rim Height:		(All Models)	35 ¾"
	Reservoir Height:	Reservoir	(MB-80-R)	67"

Specifications:

Back Flow Prevention:	1" Air gap for tub fill, vacuum breaker for MB-80-R shower hoses. Watts N-9 double checks for MB-80 shower hoses. Note: The factory provided backflow prevention is the most widely accepted. Local codes may require changes, which is the responsibility of the local plumbing contractor.		
BathAire^(SM) Outlets:	4 with 6 ports each for a total 24 warm air massage outlets.		
Door Seal:	Closed cell black Neoprene sponge. Highly resistant to oils, detergents and all water conditions.		
Electrical:	Provide separate 120 V-AC, 60 HZ, 15 Amp. circuit and receptacle with in-line ground fault interrupter (not supplied) in accessible location.		
Installation Time:	1 ½ hours	Inspection and Adjustments:	½ hour
Liquids Storage:	Located behind lockable service access doors.		
Motor Specs:	BathAire ^(SM) Motor: 120 V., 9.5 Amps. Variable speed with built-in 600 watt heating element for maximum comfort and control.		
Patent:	US 6,766,543 B1.		
Room Size:	Standard Model (RH) 6' wide x 9'4" long; Reservoir model (RH) 6' wide x 10' long. Can fit in smaller room; call MasterCare with dimensions.		
Service Access:	Controlled access through lockable service doors.		
Standards:	Tested and certified to Hydromassage Bathtubs, UL 1795, Third Edition. & Hydromassage Bathtub Appliances, CAN/CSA C22.2 No. 218.2-93. Compliant with chapters Comm 82-84, Wisconsin Administrative Code, and Chapters 145-160, Wisconsin Statutes. Comm 82.32 (4) (b) 2., Wis. Adm. Code based on the Wisconsin Statutes and the Wisconsin Administrative Code. Product File #20010143. FDA Establishment Registration No. 3003333691.		
Switches:	Pneumatic and membrane.		
Thermometer:	Analog temperature measurements.		
Tub Entry:	Door counter-balanced with simple guidance system for easy of operation.		
Tub Fill/Shower:	On-board 30 GPM mixing valve on standard models, and 22 GPM mixing valve on reservoir models.		
Tub Shell:	Sanitary gel-coated FRP (Fiberglass Reinforced Polymer).		
Tub Water Use Gallonage:	55 gallons under normal conditions.		
Waste:	2" PVC schedule 40 pipe.		
Water Connection:	¾" & ¾" hose swivel connections supplied by manufacturer		
Water Supply:	¾" Copper hot and cold. Minimum of 45 PSI for hot and cold required. Maximum temperature of hot water supply 115° F or code, whichever is less. Shut off valves at unit supplied by local plumbing contractor.		
Weight:	MB-80 (420 lbs), MB-80-C (480 lbs), MB-80-R (Tub 385 lbs, Reservoir 240 lbs), MB-80-RC (Tub 445 lbs, Reservoir 240 lbs), MT-80 Transfer system (120 lbs).		

Warning: 1) Risk of electrical shock; Disconnect electric power source before installation and subsequent servicing. 2) An equipment grounding terminal is provided in the field wiring compartment. To reduce the risk of electrical shock, this terminal must be connected to the grounding means provided in the electric supply panel with a conductor equivalent in size to the circuit conductors supplying this equipment. 3) Install this unit in accordance with the U.S. National Electrical Code in the U.S.A and the Canadian Electrical Code, Part I in Canada

Integrity Specs
Rev 2
12/04/06

MasterCare

Patient Equipment, Inc.

"*ERGONOMIC AND ECONOMIC PATIENT CARE SOLUTIONS*"

Integrity Bath Transfer System & Scale

Specification Information

Models: MT-80, MS-80

Dimensions:

Transfer Chair:	Width	26"	Inches
	Length	36"	Inches
	Height (Top of Chair Back)	42 ½"	Inches
	Height (Top of Seat) (Wheelchair Height)	21"	Inches

Transfer System Specifications:

Adjustable Back:	Gas spring offers infinite adjustability.
Arm Rests:	Articulating arm rests.
Base Construction:	Powder coated aluminum, stainless steel and high impact polymers.
Capacity:	500 lbs.
Casters:	Four (4) swivel casters, two (2) 5" with brakes and two (2) 4" without brakes.
Chair:	Powder coated aluminum, stainless steel and high impact polymers.
Comfort Pads:	Vinyl covered closed-cell foam.
Leg Rest:	Adjustable to four (4) positions with flow through holes for water circulation.
Weight:	120 lbs.

Scale Specifications:

Accuracy:	Within 1% of capacity.
Capacity:	The scale uses 2 - 200 kg., single point, aluminum loadcells with potted gages for moisture protection. The loadcells have matched output so that load cell exchange does not then necessitate calibration.
Display:	LCD with .60" high characters
Electronics:	Utilizes a microprocessor controlled digital electronics for reliable and trouble free operation.
Mechanical:	Electronics enclosure is stainless steel with plastic overlay. The loadcell supports are heavy gauge stainless steel. All fasteners are stainless steel.
Mode:	Pounds (lb.) and Kilograms (kg)
Power:	4 AA alkaline batteries
Repeatability:	To within 1 displayed division.
Resolution:	The present resolution is .5 lb. If finer resolution is needed, it is factory programmable.

Transfer & Scale Specs
Rev 1
04/13/06

2071 14th Avenue · PO Box 1435 · Columbus, NE 68601

Phone: 800.798.5867 · Fax: 402.563.9102

E-mail: mastercarepeinc@frontiernet.net

Website: www.mastercarebath.net

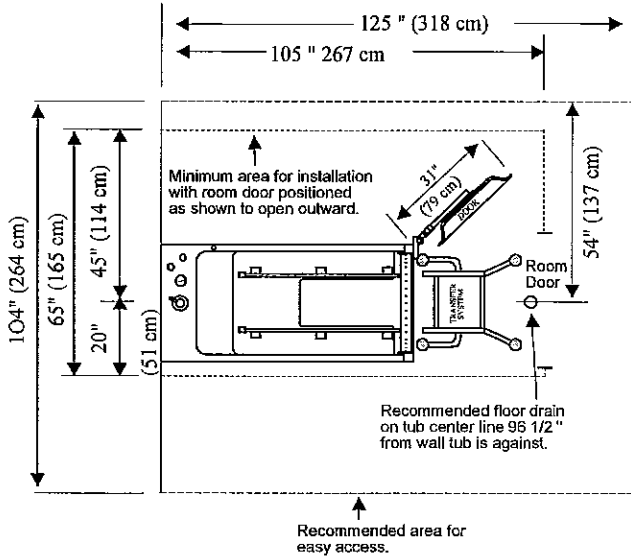
1. Plan Bathing System Layout

⚠ WARNING:

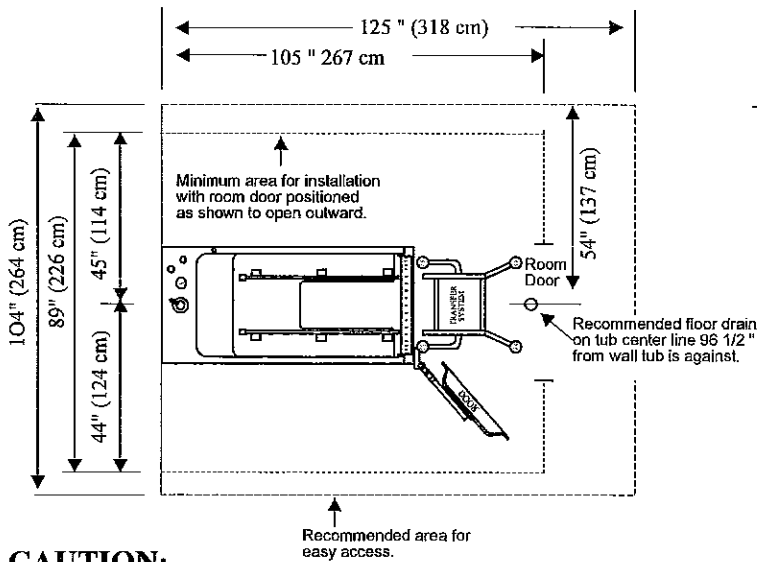
Floor must be level and flat for Low Level Chair Transfer System to operate properly.

- ⊕ Choose flattest floor location possible.
- ⊕ Tub & Chair rails must align properly to prevent chair derailment.
- ⊕ Transfer system must lock to avoid disengagement from tub.
- ⊕ Room dimensions, door sizes, and floor drain placement, must comply with all applicable building and health codes.

Right Hinged Door

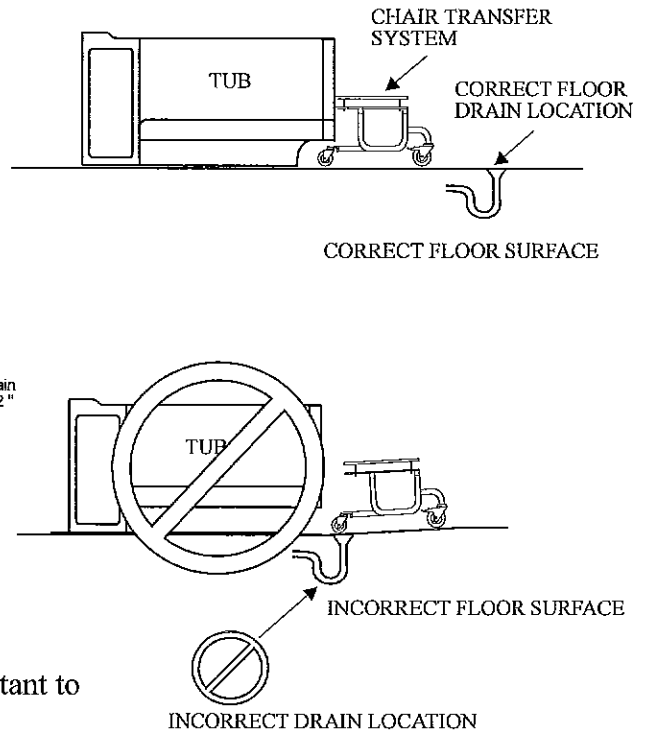


Left Hinged Door

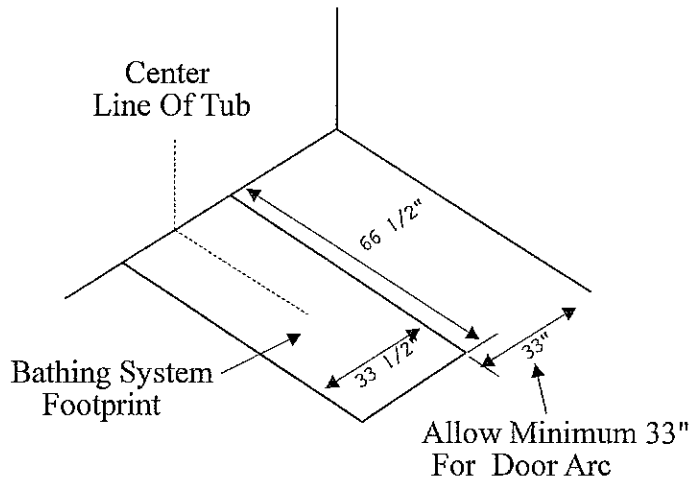


CAUTION:

- ⊕ Space around bathing system is needed to allow assistant to access resident and maintenance service access.
- ⊕ Avoid covering switches, valves and other items that must be accessed by authorized personnel or maintenance with the reservoir and cabinet.

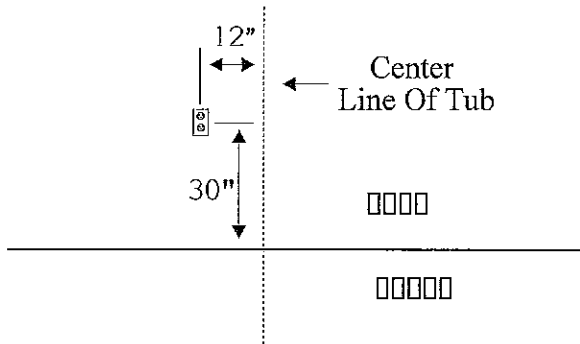


2. Mark Tub Center Line On Wall & Floor

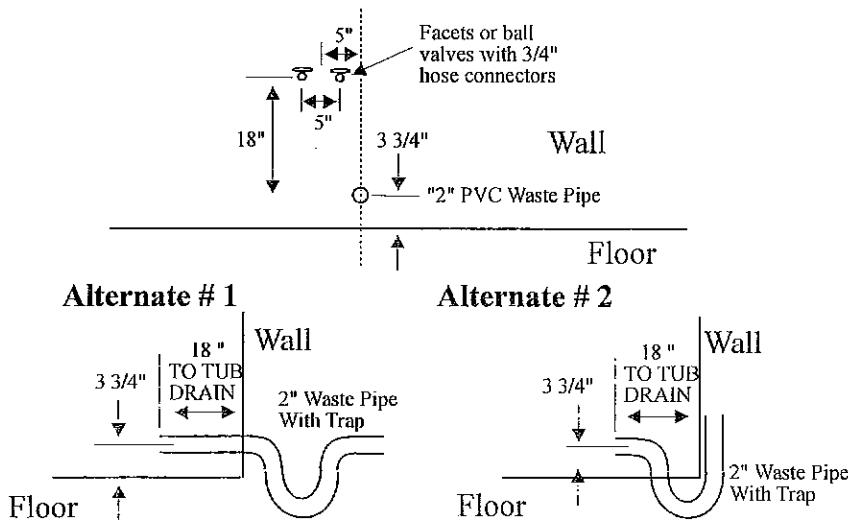


3. Install Electrical Service

Recommended Service 115 V 60 hz 15 amp with 2 x 4 electrical box flush mounted in wall. Install In-Line GFI with accessible reset location.



4. Install Plumbing Service



Electrical Service Notes

- ⚠ **WARNING:** Electrical current can cause severe injury or death if the following precautions are not heeded:
 - ⊖ Turn off power source.
 - ⊖ Lock circuit open to prevent accidental activation.
 - ⊖ Electrical service must be located higher than plumbing service.
 - ⊖ Install Class A ground fault interrupter (GFI) between bathing system and incoming electrical supply. GFI must be easily accessible to reset if needed.
 - ⊖ Electrical switches and outlets must not be in reach of tub or reservoir.
 - ⊖ Electrical wiring must comply with all applicable codes. A licensed electrician may be required to install the service.

Plumbing Service Notes

- ⊖ Plumbing service must comply with all applicable building and plumbing codes. A licensed plumber may be required to install this service.
- ⊖ Local plumbing codes may require back flow preventers to be installed on both the hot and cold water lines.

General Notes

- ⊖ **Caution:** Wall and floor openings for the electrical and plumbing service installations should be closed and sealed to help maintain sanitary conditions.
- ⊖ **Memo:** "P" Trap to be supplied by customer not manufacturer.

**GENERAL WARNINGS:**

- ⊖ Hot water can scald people. Temperature control valve must be adjusted before using the bath. Do not allow temperatures to exceed 110 F (43 C)
- ⊖ Electrical current can cause severe injury or death. Before installation or maintenance: Turn off power at circuit breaker. Lock circuit open to prevent accidental activation. Be sure ground fault interrupter is installed in electric circuit supplying power to the bath system.
- ⊖ Tub and cabinet components are heavy and bulky. Do not attempt to lift or move this tub or cabinet alone.
- ⊖ Damp or wet floors can be slippery causing falls and serious injury. Dry wet areas before starting to install bathing system.
- ⊖ Standing in tub can damage the tub or lead to falls and serious injury. Do not stand in tub during installation or use. Do not allow residents to stand in the tub.
- ⊖ Improper Chair Transfer System adjustment could allow residents to drop to the floor resulting in severe injury. Be sure chair carrier rails are aligned with tub rails. Be sure chair carrier is securely latched to tub with wheels locked while transferring residents.
- ⊖ Failure to clean and disinfect bathing systems according to manufacturer's directions could help spread infection or disease. Clean and disinfect before bathing each resident. Do not leave water in reservoir between bathing sessions.

Final Check List

- 1. Bathing system location identified and marked per instructions in this manual.
- 2. Electrical service installed with GFI per instructions in this manual.
- 3. Plumbing installed according to instructions in this manual.
- 4. Wall and floor openings around pipes closed and sealed.

Additional Actions

- 5. Make sure waste water drain is free of debris.
- 6. Flush debris from the incoming hot and cold water lines. Run about 10 gallons through each line into a bucket. This will protect the valving in the bathing system from potential damage by migration of debris into its vital components.

You are now ready to install your MasterCare Integrity Bathing System.

BATHING SYSTEM INSTALLATION



GENERAL WARNINGS:

- ⊕ Hot water can scald people. Temperature control valve must be adjusted before using the bath. Do not allow temperatures to exceed 110 F (43 C)
- ⊕ Electrical current can cause severe injury or death. Before installation or maintenance: Turn off power at circuit breaker. Lock circuit open to prevent accidental activation. Be sure ground fault interrupter is installed in electric circuit supplying power to the bath system.
- ⊕ Tub and cabinet components are heavy and bulky. Do not attempt to lift or move this tub or cabinet alone.
- ⊕ Damp or wet floors can be slippery causing falls and serious injury. Dry wet areas before starting to install bathing system.
- ⊕ Standing in tub can damage the tub or lead to falls and serious injury. Do not stand in tub during installation or use. Do not allow residents to stand in the tub.
- ⊕ Improper Chair Transfer System adjustment could allow residents to drop to the floor resulting in severe injury. Be sure chair carrier rails are aligned with tub rails. Be sure chair carrier is securely latched to tub with wheels locked while transferring residents.
- ⊕ Failure to clean and disinfect bathing systems according to manufacturer's directions could help spread infection or disease. Clean and disinfect before bathing each resident. Do not leave water in reservoir between bathing sessions.

1. CHECK ELECTRICAL AND PLUMBING SERVICE ROUGH-INS

- ⊕ Bathing system location identified and marked per instructions in rough-in manual.
- ⊕ Electrical service installed with GFI per instructions in rough-in manual.
- ⊕ Plumbing installed according to instructions in rough-in manual.
- ⊕ Wall and floor openings around pipes closed and sealed.

2. CLEAR WASTE WATER DRAIN

- ⊕ Make sure waste water drain is free of debris.

3. FLUSH DEBRIS FROM HOT AND COLD WATER SERVICE LINES

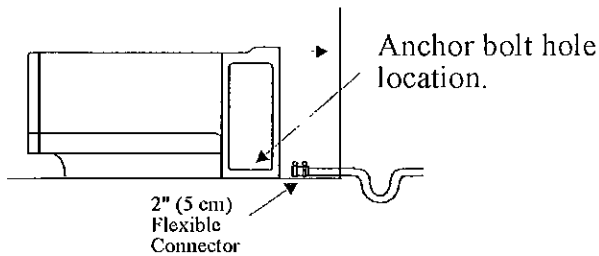
- ⊕ Flush debris from the incoming hot and cold water lines. Run about 10 gallons through each line into a bucket. This will protect the valving in the bathing system from potential damage by migration of debris into its vital components.
- ⊕ You are now ready to install your MasterCare Integrity Bathing System.

**MasterCare
Integrity Bath**

Installation Guide For MB-80,
Integrity Bathing System Without Reservoir.

4. Position Tub

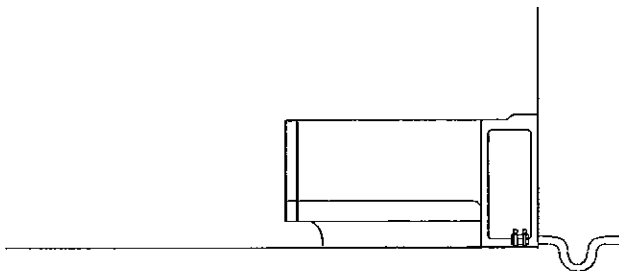
- ⊕ Remove side service doors, slide open end of tub to the wall lined up on the 2" drain rough-in.
- ⊕ Make sure 2" drain on tub is aligned with 2" drain rough-in. Connect with 2" flexible connector.



5. Set Anchors

- ⊕ Find the two 1/2" holes located in the fiber glass rear floor area of the tub. Mark hole locations on the floor, disconnect 2" drain and slide tub forward about four feet. Drill 1/2" holes for 1/4" SS anchor bolt anchors. Set anchors.

6. Reposition tub against wall.

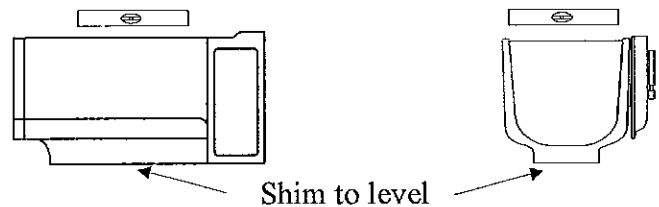


- ⊕ Position tub centered on the two inch drain.
- ⊕ Connect hot & cold water high pressure hoses from the mixing valve in the cabinet to the hot and cold water valves.

7. Make Final Connections

- ⊕ Align anchor bolt holes in tub floor with anchor holes in floor. Insert anchor bolts and tighten a few turns leaving them loose.
- ⊕ Reconnect 2" tub drain to 2" drain rough-in.
- ⊕ Plug cord from junction box inside tub into 115 V receptacle in the wall.
- ⊕ Connect black 1/8" tubing from air transmitter on front of console to barb inside fitting of switch extending from the junction box inside the tub.

8. Level Tub



- ⊕ Shim with floor tile as needed to level tub.

⚠ WARNING: Patient chair could drop to floor if tub and carrier are not correctly aligned. Tub must be level to align patient carrier.

9. Tighten Anchor Bolts

10. CONNECT SHOWER WAND TO HOSE

- ☞ Connect shower wand to hose on right hand side of tub deck as you face it. Place shower wand in holder.

 11. CONNECT DISINFECTANT SYSTEM

- ☞ Connect disinfectant wand to hose on left hand side of tub as you face it. Place disinfectant wand in holder.
- ☞ Remove service door on left hand side of tub. Place open gallon jug of MasterCare's disinfectant cleaner inside cabinet. Insert clear vinyl injector hose inside the gallon jug with end of hose all the way to bottom..

VERIFY SYSTEM OPERATION

 12. CLOSE AND LOCK DOOR

- ☞ Rotate & position door inside of tub as far as it will go. Push door down carefully until it locks in the down position. Rotate door lock arm down into a full locked position.

 13. TURN ON BATHAIRE

- ☞ Turn on BathAire by pushing in the "BathAire On/Off" Button located on the lower right hand side of console face.

 14. FILL TUB

- ☞ Rotate "Drain Open/Close" lever to the closed position.
- ☞ Turn on chrome Tub Fill valve to full open.
- ☞ Water should flow freely into tub.
- ☞ Adjust water temperature by turning the large chrome mixing valve handle in the appropriate direction while monitoring the temperature gage.

 15. CHECK FOR CONNECTOR LEAKS

- ☞ Check all red hose connections for leaks. While holding shower wand over inside of tub turn chrome shower spray handle counter clockwise and check for leaks. Turn shower spray off. While holding disinfectant wand over inside of tub turn chrome "disinfectant" handle counter clockwise (on) and check for leaks. Turn disinfectant handle clockwise (off). Correct any loose connections that are leaking.

 16. CHECK FILL TEMP GAUGE

- ☞ Adjust temperature of the incoming water to approximately 105 deg. F. 41 deg. C. by turning the chrome mixing valve handle to a position that provides a constant readout of the desired temperature on the "Temperature" dial located on the tub deck. Turn the mixing valve handle to full hot. The reservoir fill temp should not exceed 110 deg. If does consult the valve manual and correct setting.



WARNING: Hot water can scald people. Temperature of the water in the reservoir must not exceed 110 degrees.

17. CHECK BATHAIRE HYDROMASSAGE FUNCTION

- ⊕ Turn on the BathAire by pushing in on the BathAire "On/Off" button.
- ⊕ Water should turbulate evenly out of all four jets. The turbulation was preset at the factory at normal levels. It can be changed per instructions in the maintenance manual.

 18. DRAIN TUB

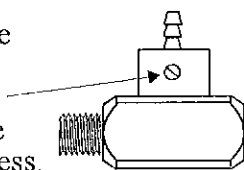
- ⊕ Rotate "Drain Open/Close" lever to open position. Allow tub to drain completely. Check drain connections for leaks.

 19. CHECK DISINFECTANT SYSTEM

- ⊕ With the disinfectant wand pointed inside the tub turn chrome disinfectant on/off handle counter clockwise all the way on.
- ⊕ The clear tubing line from the one gallon bottle of concentrated cleaner disinfectant should have solution all the way to the brass injector. After a few seconds a soapy disinfectant solution will emit from the wand.

CAUTION! The Cleaner/Disinfectant system is preset at the factory to dispense 2 oz of concentrate per gallon of water. Using an unauthorized disinfectant cleaners or system replacement parts could cause this recommended ratio to change and weaken the solution.

- ⊕ The flow rate of concentrate can be adjusted by turning the screw on the injector housing clockwise for more and counter clockwise for less.

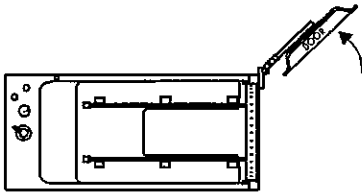


CHAIR SYSTEM ADJUSTMENT

GENERAL WARNINGS:

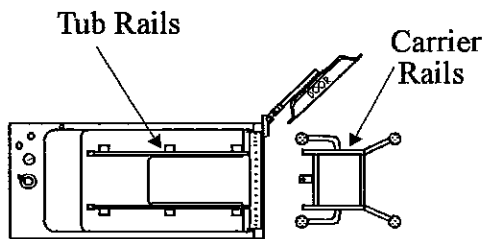
- ⊕ Transfer system carrier latching pin and chair rail alignment must be checked and adjusted before use.
- ⊕ Tub must be level to align carrier as covered earlier in this manual.
- ⊕ Failure to heed these warnings could result in injury to the patient or operator.

1. OPEN TUB DOOR



⊕ **MEMO:** For models MB-80- C & MB-80- CR with built-in chairs disregard the rest of this procedure. Do, however, check the function of the chair lock lever. Pull up on the lever and move and lock the chair into its three basic positions; front for transfers, all the way back for upright bathing and about 3/4 back for reclined bathing. See drawing directly to the right.

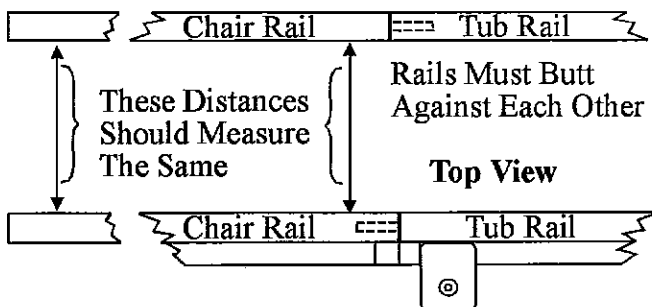
2. POSITION TRANSFER SYSTEM IN FRONT OF TUB OPENING



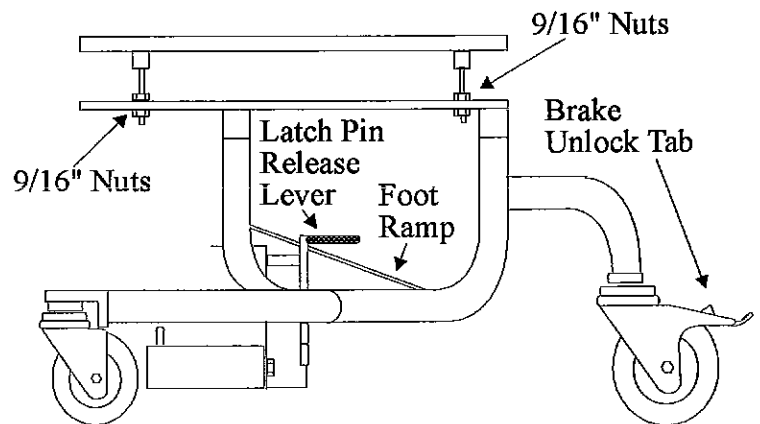
⊕ Align transfer system rails with tub rails.

3. ALIGN CHAIR RAILS TO TUB RAILS

- ⊕ Butt the chair rails flush up against the tub rails.
- ⊕ Looking down from the top the two carrier rails should align parallel with the tub rails. Looking from the side the top of the two carrier rails should be 1/16" above the plain of the tub rails. See below.



⊕ To adjust loosen the 9/16" nuts at the base of the carrier rails. Then make the required up/down and side to side adjustments to match the carrier rails to those of the tub. Tighten the nuts against each other when the desired adjustment is achieved.

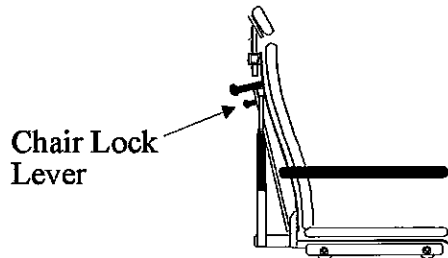


4. ADJUST CARRIER LOCK PIN TO TUB DOCKING RECEIVER. (See diagram next page)

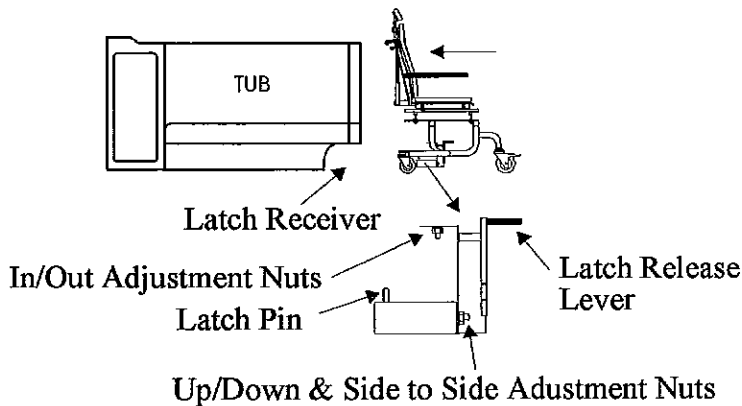
CAUTION !! Do not force latch pin into receiver.

- ⊕ The latch pin was adjusted to properly engage the latch pin receiver at the factory. Because of uneven floor surfaces you will probably have to make adjustments to the latch pin device so that it properly aligns and engages the receiver and locks into place.
- ⊕ Push transfer system gently towards the tub until the latch pin engages into the latch receiver and locks in place.
- ⊕ If the latch pin does not properly engage the receiver and locks into place align the carrier rails as close as possible to the tub rails.
- ⊕ Repeat step number 3 if required.

- ☞ Pull up on the chair lock lever and transfer the chair from the carrier rails onto the tub rails. Push the chair into the tub until it locks into place.

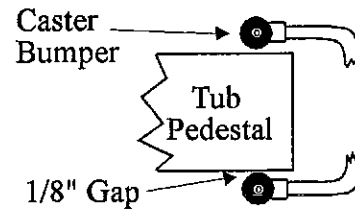


- ☞ Assess the alignment of the latch pin to the receiver then make the required adjustments for the latch pin to easily engage the receiver and lock into place.
- ☞ The diagram below of the latch pin device will help you determine which nuts to loosen to make the required adjustments.
- ☞ If the pin is not adjusted far enough in to snap into the lock loosen the in/out adjustment nuts and adjust as needed. Tighten the nuts back down securely.
- ☞ If the pin is too high or too low loosen the up/down adjustment nuts and adjust as needed. Tighten the nuts back down securely.
- ☞ If the pin is too far off to one side loosen the side to side adjustment nuts and adjust as needed. Tighten the nuts back down securely. Also side to side adjustment should center the adjustment slots of the carrier track to allow enough travel for final adjustment covered on the next page.



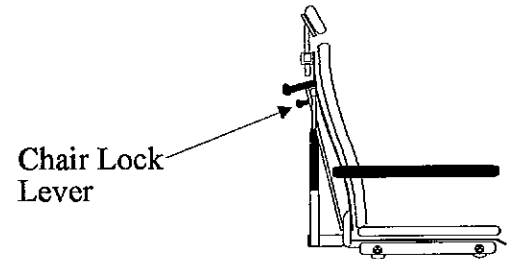
5. ADJUST REAR CASTER BUMPERS.

- ☞ Adjust rear caster bumpers as shown below:



6. RETURN CHAIR FROM INSIDE TUB TO CARRIER RAILS.

- ☞ Release chair lock by pulling up on chair lock lever (see the drawing below). Holding the Chair Lock Lever up roll the chair forward onto the carrier rails until it locks into position.



7. RELEASE TRANSFER SYSTEM FROM TUB.

- ☞ Unlock the caster brakes by stepping down on the caster brake release tabs. (see the drawing lower left)
- ☞ Release the carrier from its connection to the tub by stepping down on the latch pin release lever (see drawing lower left) and pushing the chair away from the tub.

8. RECONNECT TRANSFER SYSTEM TO TUB. FINAL CHECK

- ☞ As a final check reconnect the transfer system to the tub. Transfer the chair back into the tub then back onto the carrier rails. These functions should be smooth and easy to achieve. If not make necessary adjustments to correct.

CHAIR TRANSFER SYSTEM FEATURES

